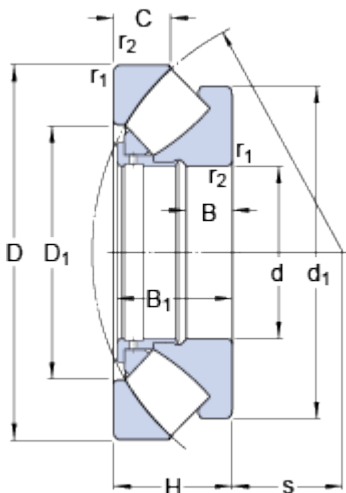


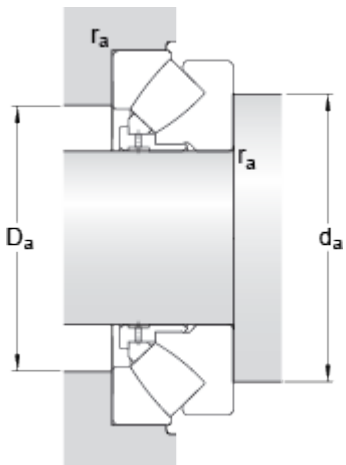
29368 E

Dimensions



d	340	mm
D	540	mm
H	122	mm
d_1	≈ 520	mm
D_1	≈ 428	mm
B	40.6	mm
B_1	117	mm
C	59.5	mm
s	192	mm
$r_{1,2}$	min. 5	mm

Abutment dimensions



d_a	min. 440	mm
D_a	max. 479	mm
r_a	max. 4	mm

Calculation data

Basic dynamic load rating	C	2710	kN
Basic static load rating	C_0	11000	kN
Fatigue load limit	P_u	950	kN
Reference speed		600	r/min
Limiting speed		1100	r/min
Minimum axial load factor	A	11	

Mass

Mass bearing		105	kg
--------------	--	-----	----